

5G O-RAN Radio Solution



Flexible indoor and outdoor coverage for all FlexRAN-based O-DU



DPD and CFR for ACLR and power efficiency



LIONS' Interoperability support to ensure performance and integrity

LIONS 5G O-RAN Radio Solution

LIONS Products

Service Management and Orchestration (SMO)

Non-RT RIC

Near RT RIC

M-PLANE

M-PLANE



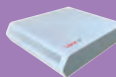
User equipment

O-RU

Fronthaul gateway

O-CU and O-DU

Indoor



4T4R, 250mW/Ch.

Outdoor



4T4R, 5W/Ch.

Macro



4T4R, 40mW/Ch.
8T8R, 40mW/Ch.

Open Fronthaul CUSM-plane

Open Fronthaul CUSM-plane

8 eCPRI ports for O-RU,
one eCPRI port for BBU
and one cascade port



LIONS Radio Technologies

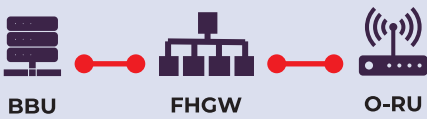


Crest Factor Reduction (CFR)
reduces over-the-air distortion of PA

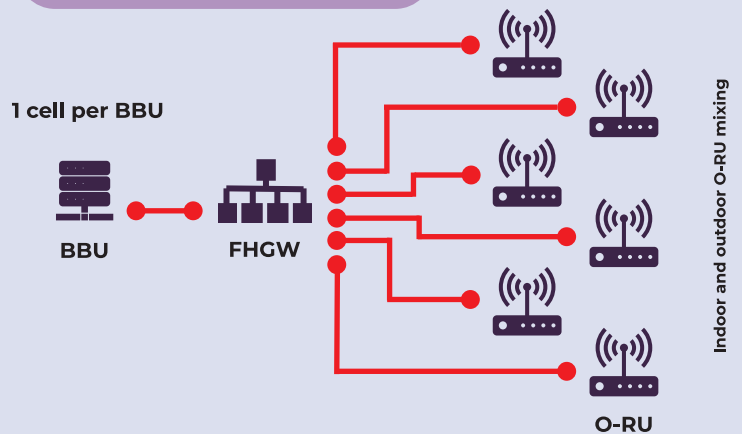
Digital Pre-Distortion (DPD)
improves ACLR and power efficiency

Flexible deployment

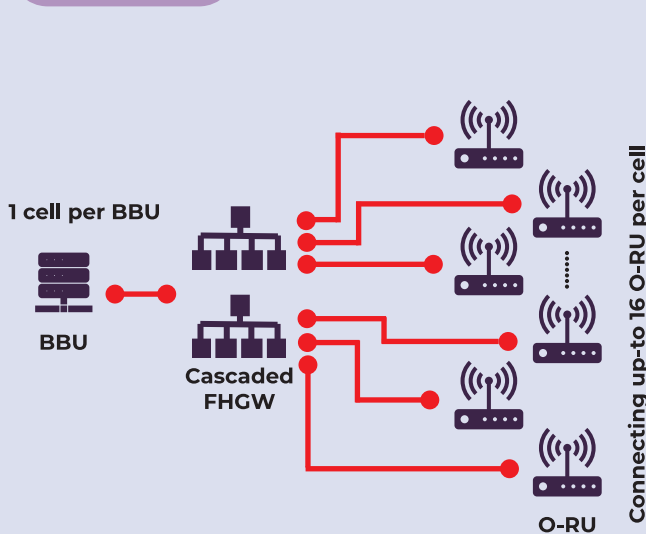
Basic



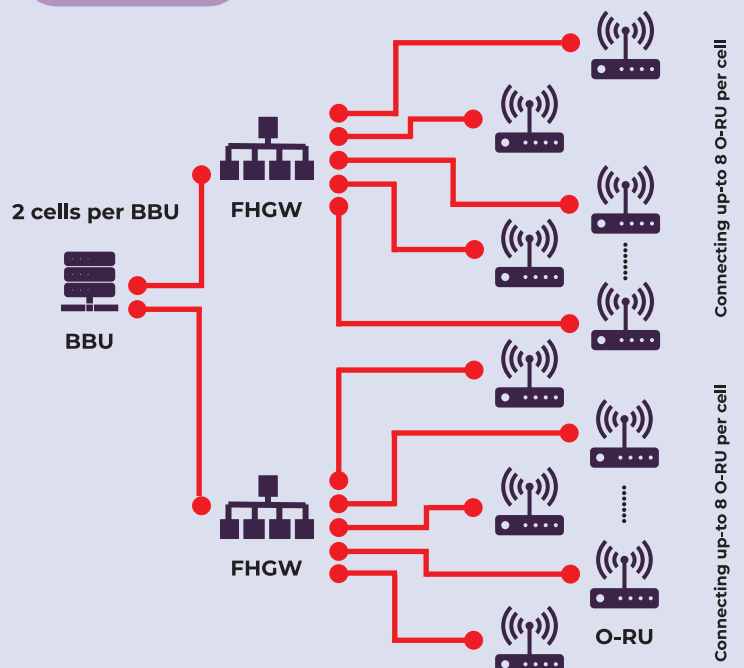
Indoor and Outdoor



Coverage



Density



LIONS Taiwan Tecnology Inc.



lions.technology

sales@lions.technology

+886 3 620 1688

